

Kidde Fire Systems

Natura™ Inert Gas System

Component Description



Effective: February 2024
K-38-3560 Rev AE

Clamping Bolt

FEATURES

- For Approvals, see the “COMPATIBILITY” table.
- REACH and RoHS compliant

DESCRIPTION

Bolt used to connect the front clamping bar to the Unistrut® rail.

#*	Part	Material
1	M12 Stay Bolt	Stainless Steel AISI 304
2	Ø30 Washer with Recess	Stainless Steel AISI 304
3	M12 Hex. Nut (2 PCS.)	Stainless Steel AISI 304
4	M12 Plate Nut	Steel P3010/M12 EL - Galvanized
5	M12 Washer Ø30/13 x 3mm	Stainless Steel AISI 304
6	M12 Lock Nut	Steel EL-Galvanized

*See Figure 2

ORDERING INFORMATION

Part Number	Description	Weight
01-8337-0200	Clamping Bolt, 2 Row, 715 mm Length, 80L	1.5 lbs (0.7 kg)
01-8337-0300	Clamping Bolt, 3 Row, 1030 mm Length, 80L	2.6 lbs (1.2 kg)
01-8437-0200	Clamping Bolt, 2 Row, 895 mm Length, 140L	2.9 lbs (1.3 kg)
01-8437-0300	Clamping Bolt, 3 Row, 1300 mm Length, 140L	3.5 lbs (1.6 kg)

COMPATIBILITY

Series	DIOM P/N	Approvals*
Natura™ Inert Gas System	06-237619-001	FM, UL
Natura™ Inert Gas System	06-237598-001	LPCB

* For additional listings, contact Kidde Fire Systems

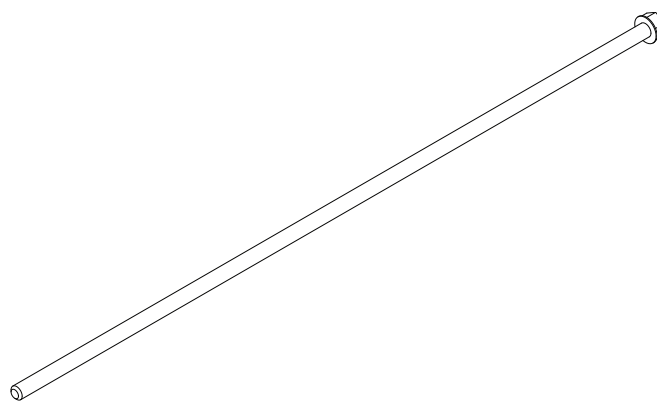


Figure 1.

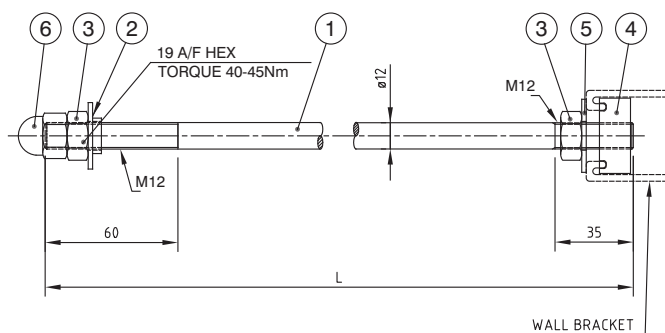


Figure 2.

This literature is provided for informational purposes only. KIDDE-FENWAL, INC. believes this data to be accurate, but it is published and presented without any guarantee or warranty whatsoever. KIDDE-FENWAL, INC. assumes no responsibility for the product's suitability for a particular application. Product features specified are only applicable when the fire suppression system is correctly designed, installed, maintained and serviced by trained, authorized Kidde Fire Systems distributors as per the applicable design, installation, operation, and maintenance manuals. If you need more information on this product, or if you have a particular problem or question, contact: KIDDE-FENWAL, INC., Ashland, MA 01721 USA, Telephone: (508) 881-2000.

EXPORT INFORMATION (USA)

Jurisdiction: EAR
Classification: EAR99
This document contains technical data subject to the EAR.

Unistrut is a registered trademark of Atkore International Group.
All trademarks are property of their respective owners.
©2024 Kidde-Fenwal, Inc.

Kidde Fire Systems
400 Main Street
Ashland, MA 01721
Ph: 508.881.2000
Fax: 508.881.8920
kiddefiresystems.com